



BT199-2C

## 产品特点

- >50A heavy duty contact rating
- >various contact form: 1C/2C/1X/1Y/2A
- >multiple choices on features, din rail base, Diode, clear cover
- >blowout magnet can be chosen (DC switching only)
- >Auxiliary switch
- >class B insulation system

## How to order

Discription	BT199 (B)	-2C	40		-C	A	-24VDC
series: BT199 B:with blowout magnet							
contact form 1C : SPDT 1X:SPNO 1Y:SPNC 2C:DPDT 2A:DPNO							
contact rating 40:40A 50:50A							
screw wire connection							
cover type Blank : without cover C: stander clear cover							
options Blank : stander A: din rail base B: auxiliary switch C: with heat shrink tubing E : 2A exchange to 1X L: LED Q: quick connect terminal V: Diode							
Coil voltage A: AC DC: DC (6~110VDC 6~240VAC)							

## >characteristic

type	1C		1X		1Y		2A		2C			
	load	resistive						40A @30VDC/120VAC/240VAC				50A @30VDC/120VAC/240VAC
	motor						2hp @120-600VAC				1hp@120-600VAC	
switching power	1500W/12000VA											
switching current	30A						50A					
resistance	≤50mΩ											
material	AgCdO 银镉											
electrical life	10,000 ops											
mechanical life	1000,000 ops											
must operate voltage ( 23℃)	DC:≤80%, AC: ≤85% 50/60HZ											
must release voltage ( 23℃)	DC:≥10%, AC: ≥30% 50/60HZ											
max voltage ( 23℃)	110%											
Insulation resistance	1000MΩ @500VDC											
power consumption	DC(W)		1.2-1.5W									
	AC(VA)		3.0-3.4VA									
operate time	AC≤30ms DC≤20ms											
release time	AC≤25ms, DC≤15ms											
dielectric strength	between open contact		1500VAC,1Min									
	pole to pole		2200VAC,1Min									
	contact to coil		2200VAC,1Min									
ambient temperature	-30℃~+60℃ (AC/DC)											
ambient humidity	5%RH~85%RH											
atmosphere	86-106KPa											
shock resistance (malfunction)	98m/s <sup>2</sup>											
shock resistance (destruction)	980m/s <sup>2</sup>											
vibration resistance	10Hz~55Hz, Double amplitude 1.0mm											
terminal types	din rail or screw wire connection											
dimension	63.5mm×63.2mm×55.4mm						80.8mm×64mm×57mm					

weight

about 311g

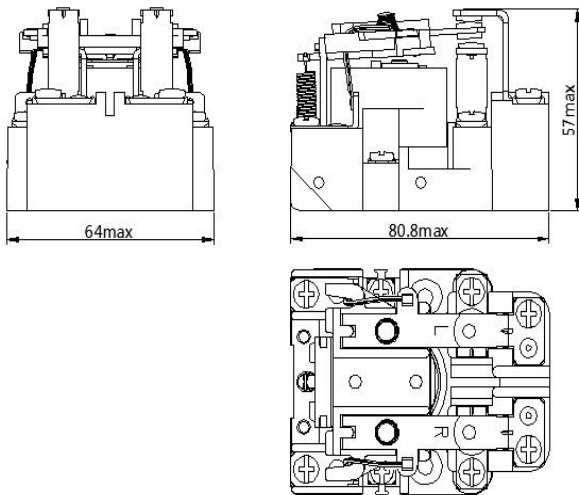
**>Coil rating (temperature + 23°C)**

Rated Voltage ( V )		Must Operate ( V )	Must Release ( V )	Max ( V )	Coil Resistance(Ω)±10%
DC	6VDC	≤80%	≥10%		18
	12VDC				70
	24VDC				290
	36VDC				1200
	48VDC				6000
	110VDC				7255
AC	6VAC	≤85%	≥30%	110%	0.86
	12VAC				3.2
	24VAC				12
	48VAC				46
	120VAC				260
	208VAC				850
	220VAC				1040
	240VAC				1200
	277VAC				1500
	480VAC				4500

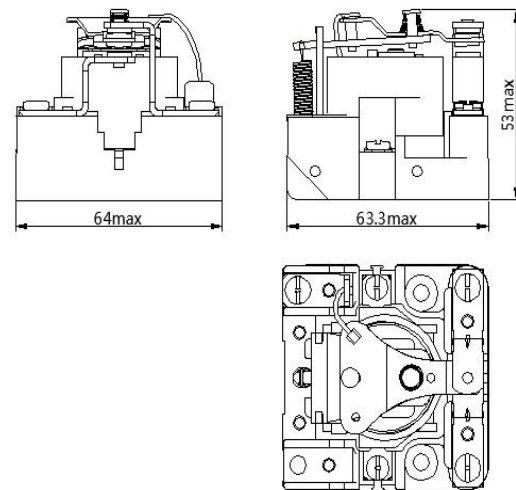
Note: The maximum voltage is the maximum that the relay can withstand in a short period of time.

**>Dimension (mm)**

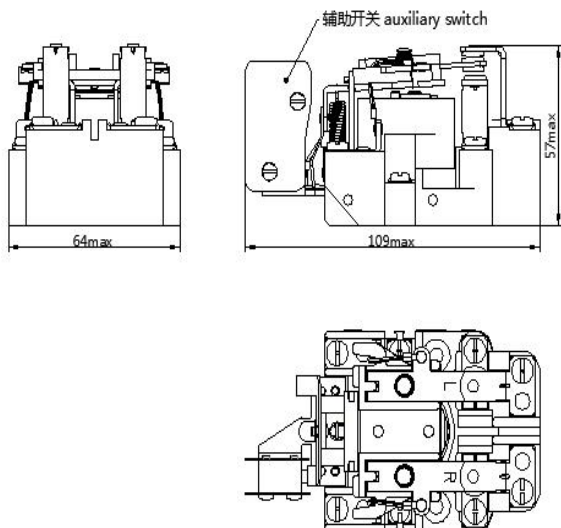
MS301-2C



MS301-1C



MS301-2C-B



MS301-1C-B

